



Designation: D6090 – 17

Standard Test Method for Softening Point Resins (Mettler Cup and Ball Method)¹

This standard is issued under the fixed designation D6090; the number immediately following the designation indicates the year of original adoption or, in the case of revision, the year of last revision. A number in parentheses indicates the year of last reapproval. A superscript epsilon (ϵ) indicates an editorial change since the last revision or reapproval.

1. Scope

1.1 This test method covers the determination of softening point of resins using a Mettler cup and ball apparatus, and may, under user-defined conditions, give results comparable to those obtained by Test Methods E28.

1.2 The values stated in SI units are to be regarded as the standard. The values given in parentheses are for information only.

1.3 *This standard does not purport to address all of the safety concerns, if any, associated with its use. It is the responsibility of the user of this standard to establish appropriate safety, health, and environmental practices and determine the applicability of regulatory limitations prior to use.*

1.4 *This international standard was developed in accordance with internationally recognized principles on standardization established in the Decision on Principles for the Development of International Standards, Guides and Recommendations issued by the World Trade Organization Technical Barriers to Trade (TBT) Committee.*

2. Referenced Documents

2.1 *ASTM Standards:*²

E28 Test Methods for Softening Point of Resins Derived from Pine Chemicals and Hydrocarbons, by Ring-and-Ball Apparatus

E177 Practice for Use of the Terms Precision and Bias in ASTM Test Methods

E691 Practice for Conducting an Interlaboratory Study to Determine the Precision of a Test Method

3. Summary of Test Method

3.1 In this test method, the softening point is defined as the temperature at which the sample, suspended in a cylindrical

¹ This test method is under the jurisdiction of ASTM Committee D01 on Paint and Related Coatings, Materials, and Applications and is the direct responsibility of Subcommittee D01.34 on Pine Chemicals and Hydrocarbon Resins.

Current edition approved Dec. 1, 2017. Published December 2017. Originally approved in 1997. Last previous edition approved in 2012 as D6090 – 12. DOI: 10.1520/D6090-17.

² For referenced ASTM standards, visit the ASTM website, www.astm.org, or contact ASTM Customer Service at service@astm.org. For *Annual Book of ASTM Standards* volume information, refer to the standard's Document Summary page on the ASTM website.

cup with a 6.35-mm hole in the bottom and with a stainless steel ball, 8 mm in diameter, centered on top of the sample in the cup, flows downward a distance of 19 mm to interrupt a light beam, as the sample is heated at a linear rate in air.

4. Significance and Use

4.1 In general, with materials of these types, softening point does not take place at a definite temperature. As the temperature rises, these materials gradually change from brittle or exceedingly thick and slow-flowing materials to softer and less viscous liquids. For this reason, the determination of the softening point must be made by a fixed, arbitrary, and closely defined method if the results obtained are to be comparable.

5. Apparatus

5.1 *Softening Point Apparatus*³—This commercially available instrument consists of a control unit with a digital temperature indicator; matched measuring cell; cartridge assembly, consisting of a sample cup and upper portion; and accessories. The control unit automatically regulates the heating rate of the measuring cell. The softening point is indicated on the readout, and the heating program stopped, when the sample flow triggers a photocell detector.

5.2 *Central Processor*—This unit shall provide a continuous, linear temperature increase from 25 to 375°C.

5.3 *Measuring Cell*—This unit shall be capable of heating a sample cup assembly, as described in 5.4, at a linear rate with an accuracy of $\pm 0.2^\circ\text{C}/\text{min}$. It shall include a sensing system capable of detecting the softening point with a precision of 0.1°C.

5.4 *Sample Cup Assembly*—A cup of chromium-plated brass and an upper portion, conforming to the dimensions shown in Fig. 1.

5.5 *Ball*—A stainless steel ball, 8.7 mm ($11/32$ in.) in diameter, weighing 2.77 ± 0.02 g.

³ The sole source of supply of the apparatus FP90/FP83HT, known to the committee at this time is the Mettler-Toledo, Inc., Princeton-Hightstown Rd., Hightstown, NJ 08520. If you are aware of alternative suppliers, please provide this information to ASTM International Headquarters. Your comments will receive careful consideration at a meeting of the responsible technical committee,¹ which you may attend.

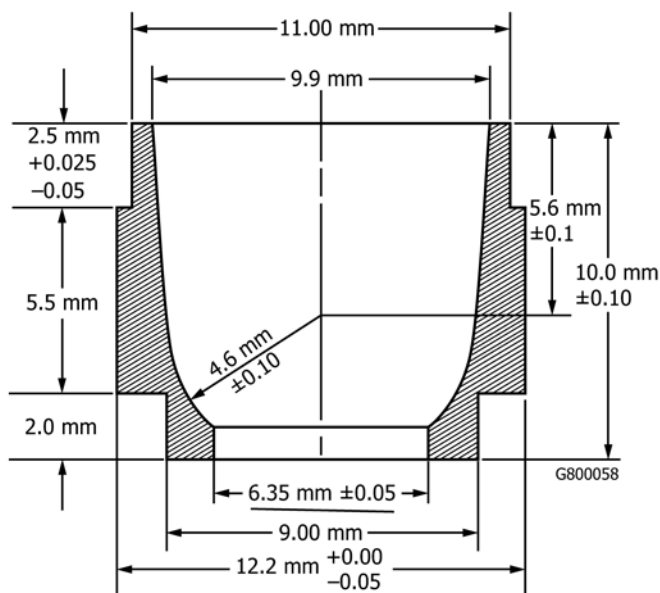


FIG. 1 Sample Cup

6. Calibration of Apparatus Using a Primary Standard

6.1 This step, required only occasionally, is designed to establish that the temperature indicated by the instrument is in agreement with a known standard. A special cup with a bottom orifice of 2.8 mm is used instead of the one specified for testing the resin.

NOTE 1—The stainless steel ball is not used during calibration.

6.2 *Reagent*—Use either analytical reagent or primary standard grade benzoic acid for the calibration. As this material is hygroscopic, it must be stored in a tightly sealed container, and replaced with fresh material from a newly opened supply if hydration or other contamination is suspected.

6.3 Procedure:

6.3.1 *Filling the Sample Cup*—Place the cup on a clean, flat surface and fill it with benzoic acid crystals. Hand press the material into the cup with a 9.2-mm rod of dowel stock or equivalent. Refill and repeat the pressing step until the cup is filled with benzoic acid. Remove any crystals from the exterior of the cup.

6.3.2 *Heating*—Preheat the measuring cell to 121°C, and maintain it at that temperature. Place the cartridge assembly containing the benzoic acid in position in the measuring cell, taking care that the slits for the light beam are properly positioned. With the instrument set in the dropping point mode, start the required method, which includes a waiting period of 30 s to allow temperature equilibration between the measuring cell and sample followed by an automatic temperature ramp of 0.2°C/min. The temperature will rise steadily at the correct rate until the drop point is reached, and then remain steady on the readout.

6.3.3 *Cleaning*—Immediately remove the cartridge assembly. Check to determine that the sample has passed through the light beam and no pre-triggering has occurred. If a malfunction is suspected, the entire procedure must be repeated. Inspect the

apparatus carefully to ensure that no residue remains. Wash the cartridge parts with a suitable solvent to remove the last traces of the residue.

6.3.4 *Interpretation*—If the result is not $123.5 \pm 0.5^\circ\text{C}$, repeat the test. If the second value remains outside of the acceptable range, repeat the test using a fresh sample of benzoic acid. If the results remain outside of the acceptable range, the instrument requires recalibration or repair. Consult the manufacturer’s instruction manual.

7. Instrument Check of Apparatus Using a Secondary Standard

7.1 The primary calibration standard, benzoic acid, might not have a dropping point similar to the softening point of the resin being tested. In such cases, it is desirable to calibrate the instrument using a secondary standard having a dropping point similar to that of the test sample. Materials suitable for use as secondary standards are listed, but are not limited to those, in Table 1. Demonstration of conformance to the dropping point of benzoic acid should be completed before a secondary standard is read.

7.2 Follow the same procedure as in 6.3.2 and 6.3.3 but start about 3°C below the actual dropping point of the secondary standard.

8. Preparation of Sample

8.1 Fold the tab on an oil-free disposable aluminum weighing dish to a horizontal position and pinch a pour spout into the dish directly opposite the tab. Weigh 5 to 10 g of resin into the dish.

8.2 Place the dish and sample on a preheated hot plate and cover with a 600-mL or larger beaker. Heat the sample until it is almost melted.

8.3 Remove the beaker from the hot plate, grasp the tab with forceps or needle-nose pliers, and stir the sample with a probe-type thermometer until it is completely melted and homogeneous. Avoid entraining air into the sample melt. The temperature of the sample should be no more than 60°C above the expected softening point. Remove the thermometer and

TABLE 1 Materials Suitable as Secondary Standards for Mettler Cup and Ball Softening Point

Approximate Dropping Point, °C	Material
60	stearyl alcohol
80	diphenyl carbonate naphthalene
100	phenoxyacetic acid 4- <i>t</i> -butylphenol methyl urea
110	<i>m</i> -toluic acid resorcinol
120	benzoic acid
130	methyl 4-hydroxybenzoate urea benzamide
140	1,10-decanedicarboxylic acid dimethyl terephthalate <i>o</i> -toluamide

wipe clean. If the sample smokes or appears to boil, repeat 8.1 – 8.3, setting the maximum temperature 10°C less than the previous trial.

8.4 Filling the Sample Cup:

8.4.1 Arrange two sample cups, small outlet down, on a piece of aluminum foil placed on a smooth, flat surface.

8.4.2 Grasping the dish tab with forceps or pliers, pour the molten resin into both of the sample cups. Fill the cups to the brim without excessive overfilling.

8.4.3 Allow the resin to cool for at least 10 min. Cleanly trim off the excess resin on the sample cup with a slightly heated knife or spatula, or grasp the cup in a pair of tongs and draw the top surface quickly and firmly over the surface of a heated metal plate. Do not make a determination on a sample that contains air bubbles.

8.4.4 Assemble the cartridge by placing the cup on the collector, then the upper portion on the cup. Carefully place the ball on top of the cup.

8.4.5 Make sure that there is no sample on the outside of the cup, the inside of the jacket, or the collecting sleeve. These components must be clean during analysis. The assembly should be wiped clean before inserting it into the measuring.

9. Procedure

9.1 The procedure described is for measuring the Mettler cup and ball softening point of resins. The heating rate is usually determined by the user. Heating rates of 1.0 to 2.5°C/min are typical for resins. If a correlation is desired between Mettler cup and ball softening point and ring-and-ball softening point as described in Test Methods E28, a specific heating rate for that correlation must be determined for each type of resin.

NOTE 2—To facilitate a comparison of Mettler cup and ball softening point results between laboratories, a reference set of conditions is provided as follows:

Cup: 6.35-mm diameter.

Heating Rate: 1.6°C/min.

Starting Temperature: 20°C below the expected softening point of the resin.

9.2 Preset the starting temperature of the central processor from 20 to 25°C below the expected softening point of the sample and maintain this temperature for a few minutes. Assemble the cartridge with the stainless steel ball carefully centered on top of the sample. Place the cartridge assembly in the measuring cell, taking care that the slits for the light beam are properly positioned. With the instrument in the softening point mode, start the determination, which includes a waiting period of 30 s to allow temperature equilibration between the measuring cell and sample followed by automatic temperature ramp at the specified rate in °C/min. Heating will be maintained at this rate until the drop point is reached, after which a steady temperature still be displayed on the readout. Record this temperature as the softening point of the sample.

9.3 Remove the cartridge assembly upon completion of the test. Check to ensure that the sample has passed through the light beam and no pre-triggering has occurred. If a malfunction is suspected, reject the result and repeat the test. Inspect the apparatus closely to ensure that no particles of residue remain.

9.4 Clean the sample cup and ball by soaking in a suitable solvent.

NOTE 3—Care must be taken in cleaning the sample cup in order not to scratch or alter the size of the cup orifice.

9.5 Clean the interior of the cell immediately after removing the sample assembly. Use soft cotton swabs moistened in an appropriate solvent.

10. Report

10.1 Report the softening point, as indicated by the readout, to the nearest 1.0°C. The rate of heating in degrees centigrade per minute should also be reported.

11. Precision and Bias⁴

11.1 A limited Mettler cup and ball softening point interlaboratory precision study was conducted using the same materials as that reported in Test Methods E28.

11.2 An interlaboratory study of the Mettler cup and ball softening point of three hydrocarbon resins was conducted in 1998, in accordance with Practice E691, by 10 laboratories. The test conditions were those listed in Note 2. The precision information given as follows is for the comparison of two test results.

11.3 Precision:

11.3.1 *Repeatability Limit*, 95 % (within laboratory) ~0.5 to 1.3°C.

11.3.2 *Reproducibility Limit*, 95 % (between laboratories) ~1.4 to 2.1°C.

11.3.3 The above terms (repeatability limit and reproducibility limit) are used in accordance with Practice E177. The respective standard deviations among test results, related to the preceding numbers by a factor of 2.8 are:

11.3.3.1 Repeatability standard deviation ~0.2 to 0.5°C.

11.3.3.2 Reproducibility standard deviation ~0.5 to 0.8°C.

11.4 *Bias*—Since there is no accepted reference material, method, or laboratory suitable for determining the bias for the procedure in this test method for measuring softening point, no statement on bias is being made.

12. Keywords

12.1 resin; softening point

⁴ Supporting data have been filed at ASTM International Headquarters and may be obtained by requesting Research Report RR:D01-1112. Contact ASTM Customer Service at service@astm.org.

ASTM International takes no position respecting the validity of any patent rights asserted in connection with any item mentioned in this standard. Users of this standard are expressly advised that determination of the validity of any such patent rights, and the risk of infringement of such rights, are entirely their own responsibility.

This standard is subject to revision at any time by the responsible technical committee and must be reviewed every five years and if not revised, either reapproved or withdrawn. Your comments are invited either for revision of this standard or for additional standards and should be addressed to ASTM International Headquarters. Your comments will receive careful consideration at a meeting of the responsible technical committee, which you may attend. If you feel that your comments have not received a fair hearing you should make your views known to the ASTM Committee on Standards, at the address shown below.

This standard is copyrighted by ASTM International, 100 Barr Harbor Drive, PO Box C700, West Conshohocken, PA 19428-2959, United States. Individual reprints (single or multiple copies) of this standard may be obtained by contacting ASTM at the above address or at 610-832-9585 (phone), 610-832-9555 (fax), or service@astm.org (e-mail); or through the ASTM website (www.astm.org). Permission rights to photocopy the standard may also be secured from the Copyright Clearance Center, 222 Rosewood Drive, Danvers, MA 01923, Tel: (978) 646-2600; <http://www.copyright.com/>